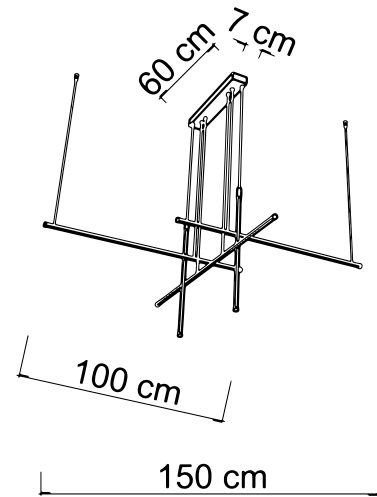


ELIA/S5

hanging lamp



The Elia Collection embodies the concept of illuminated minimalism, with lamps characterized by an extruded aluminum profile that offers extraordinary simplicity. These lamps not only provide light but also decorate the spaces they inhabit. With their essential and clean design, the Elia Collection represents a perfect blend of functionality and aesthetics, offering sophisticated lighting that harmoniously integrates into the decor.

7166	ELIA/S5 O
7173	ELIA/S5 N
Power	64W Led Integrated
Input	220/240 V- 50/60Hz
Kelvin	3000
Dimmable	No
Real Lumen	3852
CRI	85
IP	20
L. Wire	150cm

PACKAGING DATA :

Packages	1
Net Weight	2,2kg
Gross Weight	3,1kg
Volume	0,0403 m ³

Any interventions on the light source of this article must be carried out by qualified personnel or by the manufacturer himself.
Any operation carried out without prior consultation with Contemporanea srl will void the guarantee

CE ENEC RoHS

MATERIAL :

Frame	Metal
Diffuser	PMMA
Wire	PVC

FINISHING TABLE:

Frame	 Painted Gold	cod. 7166
	 Matt White	cod. 7173
Wire	 Transparent	